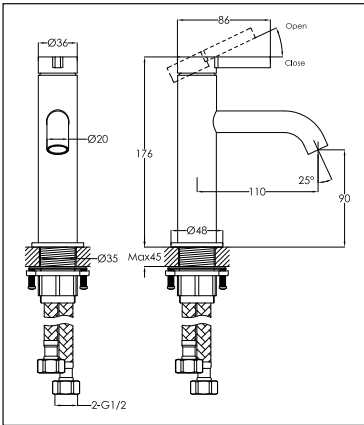


SINGLE LEVER BASIN MIXER



BALANCE. STYLE. QUALITY.

Dimension Drawing



Installation Steps

<p>1</p>	<p>2</p> <p>OK MAX 10N.M.</p>
<p>3</p> <p>MAX Ø35</p>	<p>4</p>

Explosive Drawing

