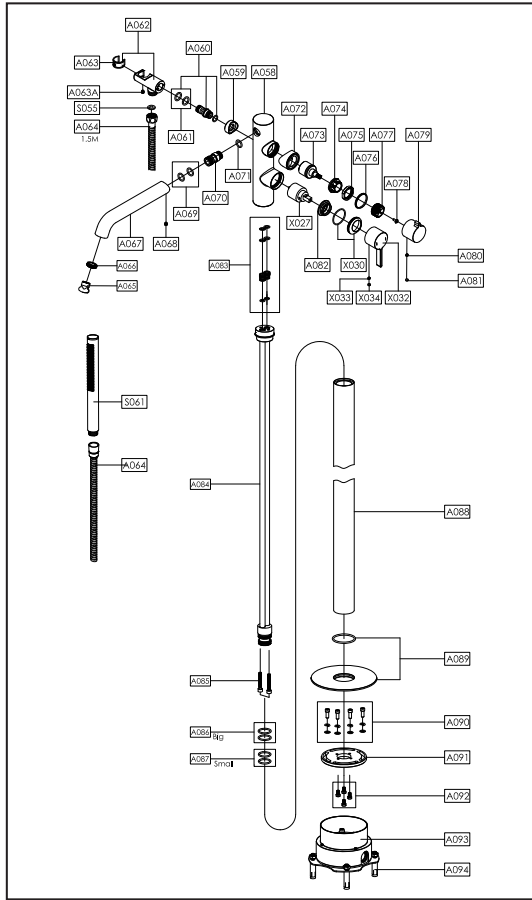
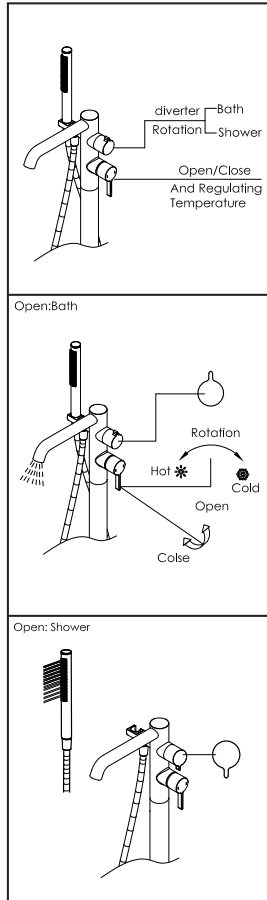


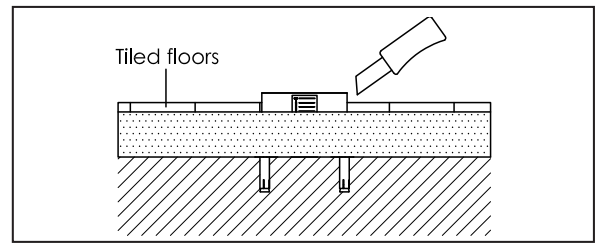
Exposed drawing



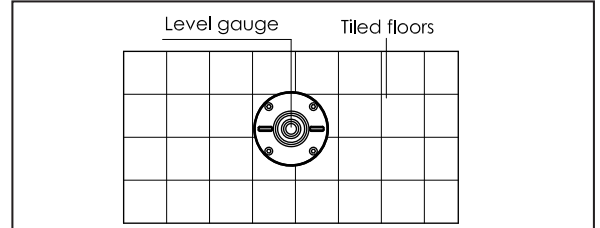
Instruction



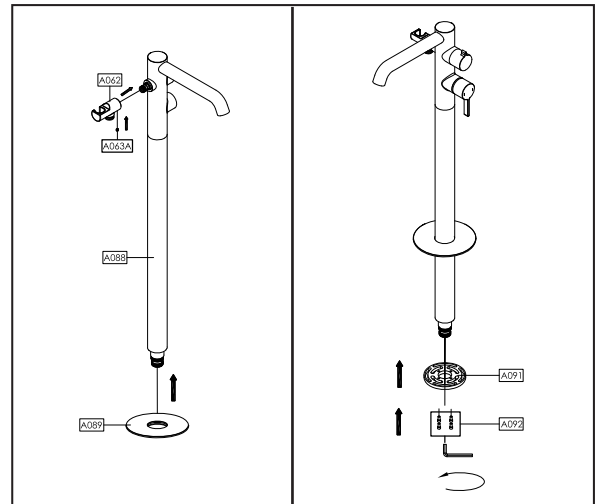
Installation steps



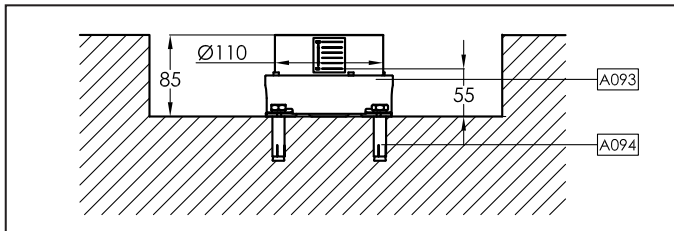
4. Pave the wood or ground tile and cut the exceeded part of the plastic box.



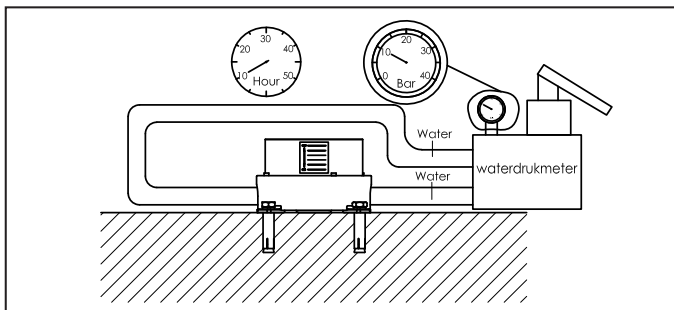
5. The effect drawing after the wood or ground tile paved.



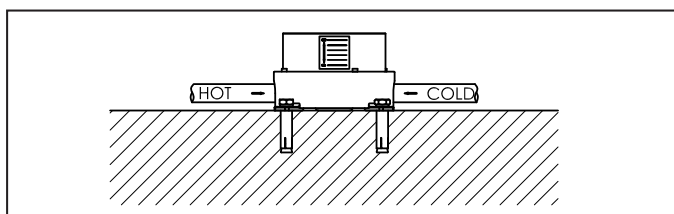
6. Put the covers A089 onto the pole A088 and mount the fixing round plate A091 onto the end of pole A088 by A092.



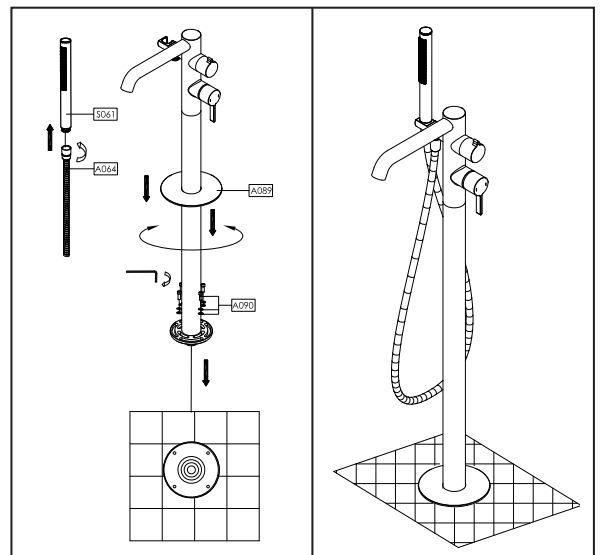
1. Mount the base union A093 onto the cement ground with A094 and keep it horizontal.



2. Make pressure test for the base union A093 by 10 hours in 10 bar to assure there is no any leakage before the next step.



3. Connect the water inlets with the inlet pipes.



7. Take away the protective cover from the base union A093 and mount the poles A088 onto the base plate, locking with the nuts A090. Then slide down the cover A089 onto the floor.